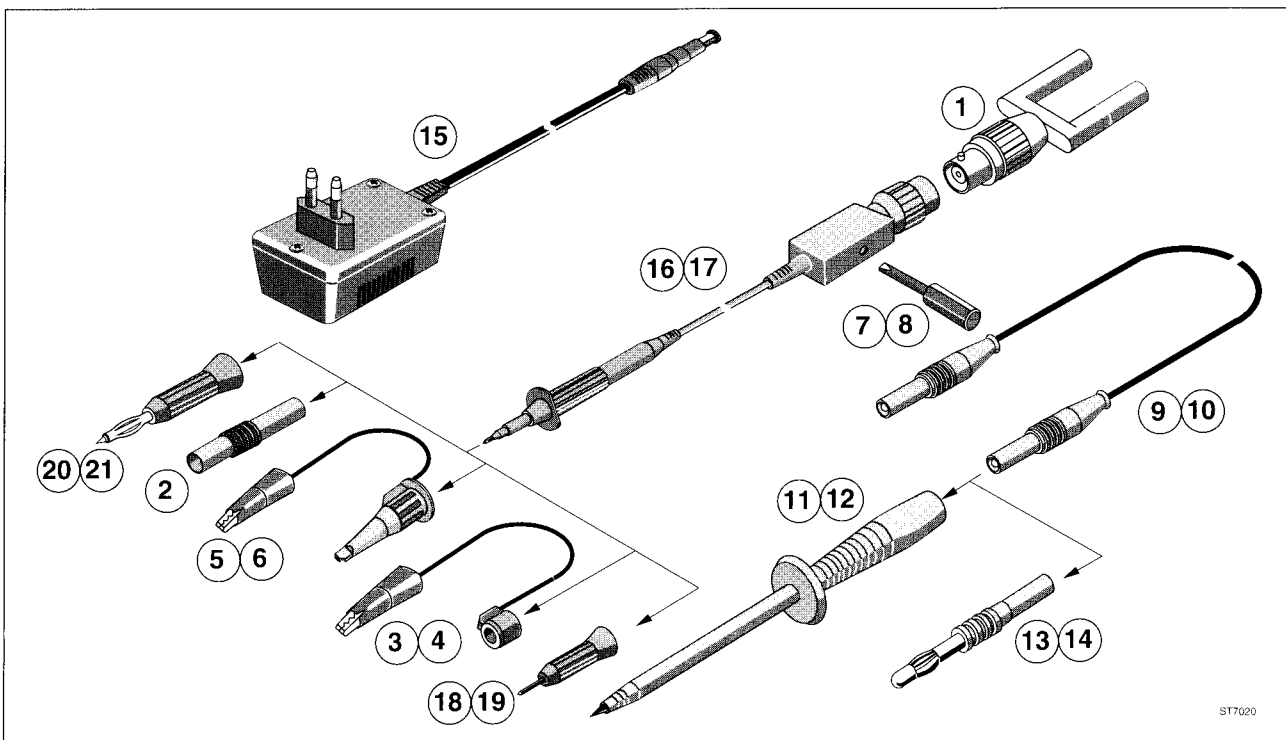


Table 9.8 Accessories replacements Philips

ITEM DESCRIPTION	ORDER NUMBER /MODEL NUMBER	ITEM DESCRIPTION	ORDER NUMBER /MODEL NUMBER	
1 Adapter Banana/BNC	PM9081/001	16 Scope probe RED	} PM8918/002	
2 Adjust adapter RED	5322 263 50192 ¹⁾	17 Scope probe GREY		
3 HF adapter BLACK	5322 263 50193	18 High voltage testpin RED		5322 264 20087
4 HF adapter BLACK	5322 263 50193	19 High voltage test pin GREY		5322 264 20088
5 Mini test hook RED	5322 210 70131	2 Adjust adapter RED		5322 263 50192 ¹⁾
6 Mini test hook GREY	5322 210 70129	3 HF adapter BLACK		5322 263 50193
7 Trim screwdriver RED	5322 395 50417	4 HF adapter BLACK		5322 263 50193
8 Trim screwdriver GREY	5322 395 50416	7 Trim screwdriver RED		5322 395 50417
9 Test lead RED	5322 397 60157	8 Trim screwdriver GREY		5322 395 50416
10 Test lead BLACK	5322 397 60156	- NiCad Battery Pack		PM9086/001
11 Test pin RED	5322 264 20046	- Holster	PM9083/001	
12 Test pin BLACK	5322 264 20045	- Accessory case	C 75	
13 Banana adapter RED	5322 264 20051	Users Manuals		
14 Banana adapter BLACK	5322 264 20052	English	4822 872 00492	
15 Power adapters/Battery chargers	PM8907/001	Dutch, German, French	4822 872 00494	
Universal Europe 220V, 50 Hz	PM8907/003	Swedish, Danish,		
North America UL, CSA, 110V, 60 Hz	PM8907/004	Finnish, Norwegian	4822 872 00495	
United Kingdom 240V, 50 Hz	PM8907/008	French, Spanish, Italian	4822 872 00493	
Universal 115V/230V		Quick Operating Guide	4822 872 00491	
20 Probe tip to banana adapter RED	5322 264 20096	Service Manual	4822 872 05352 (optional)	
21 Probe tip to banana adapter GREY	5322 264 20097			

Figure 9.6 Accessories replacements Philips



¹⁾ Item 2 will be replaced by Item 20 + Item 21